

<p>Order Code</p> <table style="width:100%; border-collapse: collapse;"> <tr> <td style="width:15%;">Base Code</td> <td style="width:15%; text-align: center;">Gear Set</td> <td style="width:15%; text-align: center;">Drive Mount</td> <td style="width:15%; text-align: center;">Options</td> </tr> <tr> <td style="border: 1px solid black; text-align: center;">G</td> <td style="border: 1px solid black; text-align: center;">N</td> <td style="border: 1px solid black; text-align: center;">3</td> <td style="border: 1px solid black; text-align: center;">8</td> </tr> <tr> <td style="text-align: center;">1</td> <td style="text-align: center;">2</td> <td style="text-align: center;">3</td> <td style="text-align: center;">4</td> </tr> <tr> <td colspan="2" style="text-align: center;">Model</td> <td colspan="2" style="text-align: center;">Wetted Materials</td> </tr> </table> <p style="font-size: small;">O/C: Pump S/K: Service Kit</p>	Base Code	Gear Set	Drive Mount	Options	G	N	3	8	1	2	3	4	Model		Wetted Materials		<p>Pump Construction</p> <ul style="list-style-type: none"> Magnetic Drive Gear Pump Cavity Style Three Helical, Shafted Gears/DP10 Sleeve Bushings O-Ring Seals (Qty 3) Rare Earth Magnets
Base Code	Gear Set	Drive Mount	Options														
G	N	3	8														
1	2	3	4														
Model		Wetted Materials															

Base Code Select a code character for each numbered position to configure the product.

1	Code	Product Type	Specifications	Notes
	G	Gear Pump		
2	N	Product Series	<i>Max System Pressure (MAWP)</i>	<i>Ports</i>
		Series GN	35 Bar (500 psi)	3/4-14 (F) NPT Side Ports
3	-	Modifier		
		Standard Design		
4	G35	Gear Set (Width/N°Gears/Pitch)	<i>Displacement</i>	<i>Max Differential Pressure</i>
		1.250/3/10	24.5 ml/rev (6.5 gal/1000*rev)	6.9 Bar (100 psi)
				<i>Driven Magnet (Standard)</i>
				Samarium Cobalt (SmCo)
5	F	Gear Material		<i>Temp Range</i>
	J	PTFE		3.5 Bar (50 psi)
		PEEK (carbon fiber/ptfe)		8.7 Bar (125 psi)
				-46/54°C (-50/130°F)
				-46/121°C (-50/250°F)
6	F	Static Seals		<i>Temp Range</i>
	V	PTFE		-46/232°C (-50/450°F)
	D	Viton®		-29/204°C (-20/400°F)
	K	EP		-46/149°C (-50/300°F)
		Kalrez®		-29/260°C (-20/500°F)
7	S	Base Materials		
	D	SS316		
	T	Alloy 20		
	C	Titanium		
		Hast C-276®		
8	E	Drive Mount	<i>Max System Pressure (MAWP)</i>	<i>Weight (Pumphead)</i>
	7	NEMA 56C	21 Bar (300 psi)	8.4 kg (18.5 lbs)
		IEC 80-B5	21 Bar (300 psi)	8.4 kg (18.5 lbs)
		IEC 80-B14	21 Bar (300 psi)	8.4 kg (18.5 lbs)

Options Add Option codes after the Base Code to modify features or enhance the product.

	High System Pressure (PC14)	<i>Max System Pressure (MAWP)</i>	<i>Weight (Pumphead)</i>
CH15	1500 psi (Machined Cup)	103 Bar(1500 psi) Titan.Cup	
	Ports/Fittings (PC17)	<i>Ports</i>	<i>Ports</i>
F10	ANSI Flanges (1", 300#)	99 Bar(1440 psi) Welded 316	
	Other (PC20)		
W2	A10 Wear Plate(s)		

Notes

PRICES ARE FOB/EX-WORKS FACTORY - Prices shown are the Manufacturer's Suggested List Price and are subject to change without notice.

USA: Micropump, Inc., A Unit of IDEX Corporation • Phone 360.253.2008 • Fax 360.253.2401

UK: Micropump, Ltd., A Subsidiary of Micropump, Inc. • Phone +44 (1480) 356900 • Fax +44 (1480) 356920

info.micropump@idexcorp.com

www.micropump.com



Technical Data

Series GN

Order Code				Options			
Base Code		Gear Set		Drive Mount			
G	N	-	G35				
1	2	3	4	5	6	7	8
Model			Wetted Materials				
							O/C: Pump S/K: Service Kit

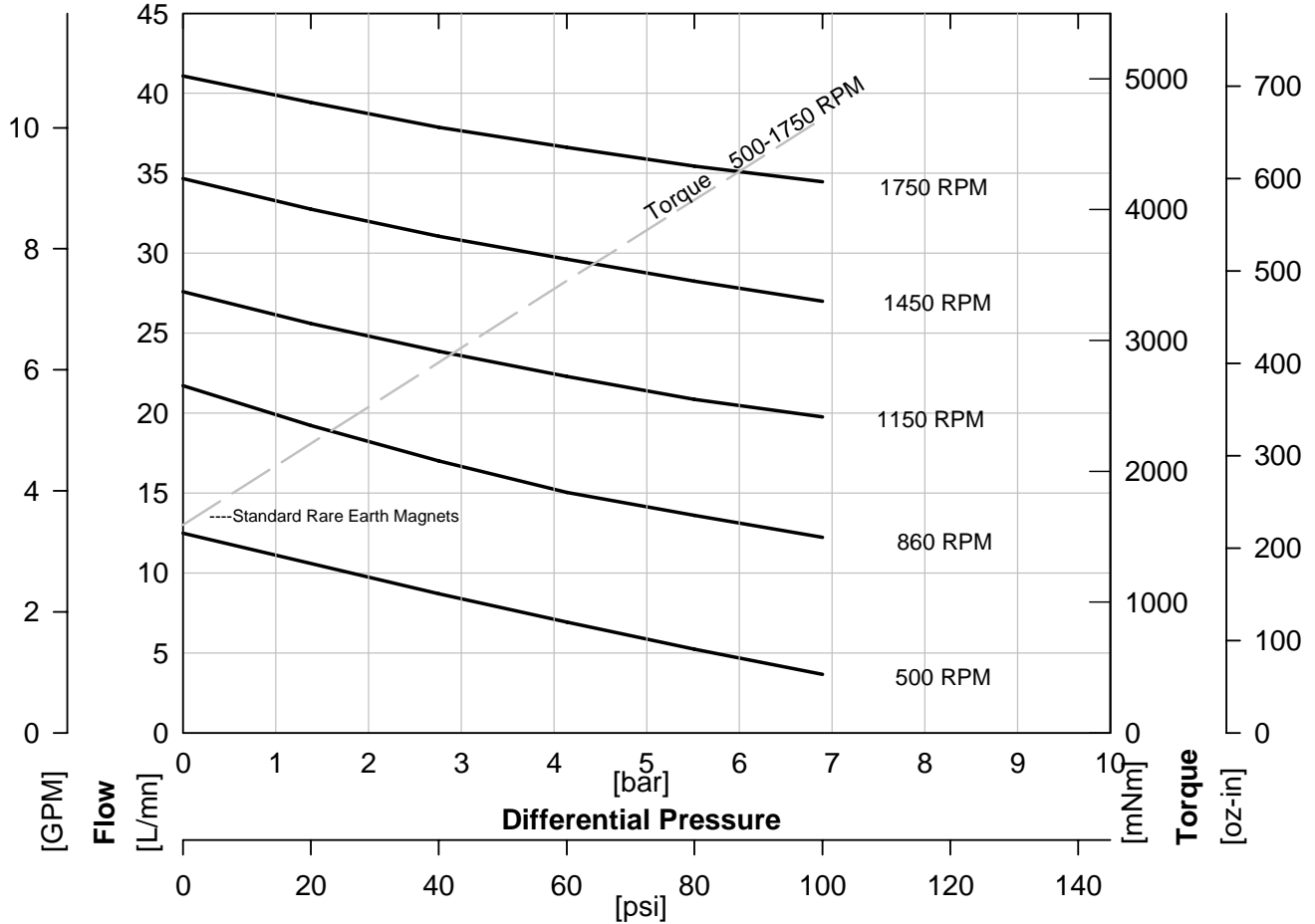
Pump Construction
 Magnetic Drive Gear Pump
 Cavity Style
 Three Helical, Shafted Gears/DP10
 Sleeve Bushings
 O-Ring Seals (Qty 3)
 Rare Earth Magnets



Performance

GN-G35

Water @ 1 CP



ACTUAL PERFORMANCE MAY VARY - Specifications are subject to change without notice. When multiple specs are noted, the most conservative value applies.

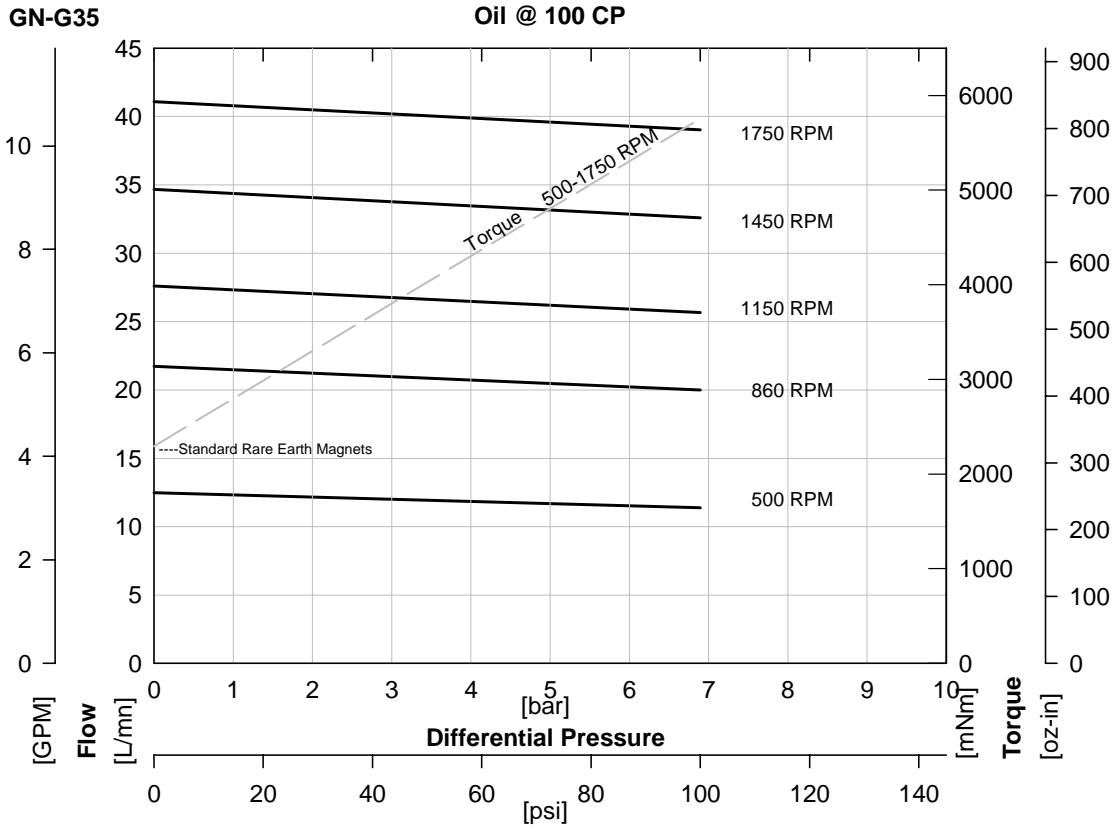
USA: Micropump, Inc., A Unit of IDEX Corporation • Phone 360.253.2008 • Fax 360.253.2401
 UK: Micropump, Ltd., A Subsidiary of Micropump, Inc. • Phone +44 (1480) 356900 • Fax +44 (1480) 356920
 info@micropump.com www.micropump.com

GN700 Rev A
Page 1

Order Code				Pump Construction			
Base Code		Gear Set		Drive Mount		Options	
G	N	-	G35	●	●	●	●
1	2	3	4	5	6	7	8
Model			Wetted Materials				O/C: Pump S/K: Service Kit

Pump Construction
 Magnetic Drive Gear Pump
 Cavity Style
 Three Helical, Shafted Gears/DP10
 Sleeve Bushings
 O-Ring Seals (Qty 3)
 Rare Earth Magnets

Performance-High Viscosity



$$\text{Watts} = \frac{\text{Torque [mNm]} \times \text{Speed [RPM]}}{9555}$$

$$\text{HP} = \frac{\text{Torque [oz-in]} \times \text{Speed [RPM]}}{1.008 \times 10^6}$$

To calculate torque, multiply correction factor by torque from viscosity curve above.

Torque Correction Factors: For Higher Viscosity Liquids				
Viscosity [cp]		1	100	2500
Max Speed [RPM]		1750	1750	200
[Bar]	[psi]			
0.3	5	0.7	1	1.6
1.4	20	0.7	1	1.6
2.8	40	0.8	1	1.6
4.1	60	0.8	1	
5.5	80	0.8	1	
6.9	100	0.8	1	

Magnet Decouple Torque			
Driven Magnet	Driving Hub	Torque [mNm]	Torque [oz.in]
SmCo	SmCo	5650	800

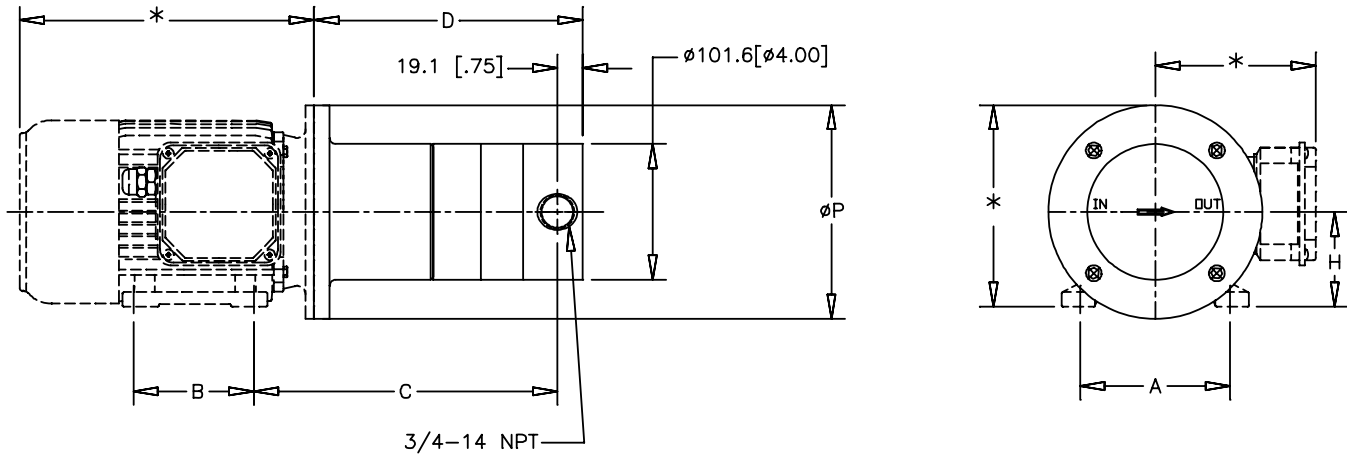
ACTUAL PERFORMANCE MAY VARY - Specifications are subject to change without notice. When multiple specs are noted, the most conservative value applies.

USA: Micropump, Inc., A Unit of IDEX Corporation • Phone 360.253.2008 • Fax 360.253.2401
UK: Micropump, Ltd., A Subsidiary of Micropump, Inc. • Phone +44 (1480) 356900 • Fax +44 (1480) 356920
info@micropump.com www.micropump.com

Order Code				Pump Construction			
Base Code		Gear Set		Drive Mount		Options	
G	N	-	G35			7	
1	2	3	4	5	6	7	8
Model			Wetted Materials			O/C: Pump S/K: Service Kit	
Magnetic Drive Gear Pump Cavity Style Three Helical, Shafted Gears/DP10 Sleeve Bushings O-Ring Seals (Qty 3) Rare Earth Magnets							



Dimensions



MOUNT	A mm [in]	B mm [in]	C mm [in]	D mm [in]	H mm [in]	P mm [in]
7 IEC80B5B3	125 [4.92]	100 [3.94]	241.8 [9.52]	210.8 [8.30]	80 [3.15]	200 [7.87]

NOTES:

- *THESE DIMENSIONS WILL VARY BASED ON MOTOR SELECTION.
- ALL DIMENSIONS ARE NOMINAL.

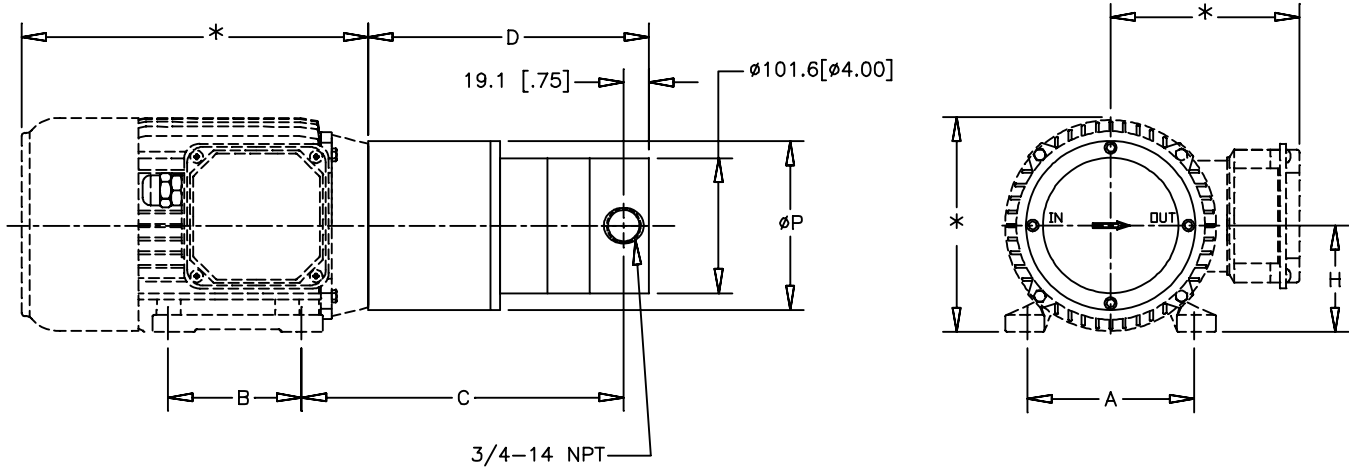
ACTUAL PERFORMANCE MAY VARY - Specifications are subject to change without notice. When multiple specs are noted, the most conservative value applies.

USA: Micropump, Inc., A Unit of IDEX Corporation • Phone 360.253.2008 • Fax 360.253.2401
 UK: Micropump, Ltd., A Subsidiary of Micropump, Inc. • Phone +44 (1480) 356900 • Fax +44 (1480) 356920
 info@micropump.com www.micropump.com

Order Code				Pump Construction			
Base Code		Gear Set		Drive Mount		Options	
G	N	-	G35	8			
1	2	3	4	5	6	7	8
Model				Wetted Materials			
				O/C: Pump S/K: Service Kit			
				Magnetic Drive Gear Pump Cavity Style Three Helical, Shafted Gears/DP10 Sleeve Bushings O-Ring Seals (Qty 3) Rare Earth Magnets			



Dimensions



MOUNT	A mm [in]	B mm [in]	C mm [in]	D mm [in]	H mm [in]	P mm [in]
8 IEC80B14B3	125 [4.92]	100 [3.94]	241.2 [9.52]	210.8[8.30]	80 [3.15]	120 [4.72]
10 IEC90SB14B3	140 [5.51]	100 [3.94]	260.2[10.24]	223.2[8.79]	90 [3.54]	140 [5.51]

NOTES:

- *THESE DIMENSIONS WILL VARY BASED ON MOTOR SELECTION.
- ALL DIMENSIONS ARE NOMINAL.

ACTUAL PERFORMANCE MAY VARY - Specifications are subject to change without notice. When multiple specs are noted, the most conservative value applies.

USA: Micropump, Inc., A Unit of IDEX Corporation • Phone 360.253.2008 • Fax 360.253.2401
 UK: Micropump, Ltd., A Subsidiary of Micropump, Inc. • Phone +44 (1480) 356900 • Fax +44 (1480) 356920
 info@micropump.com www.micropump.com

